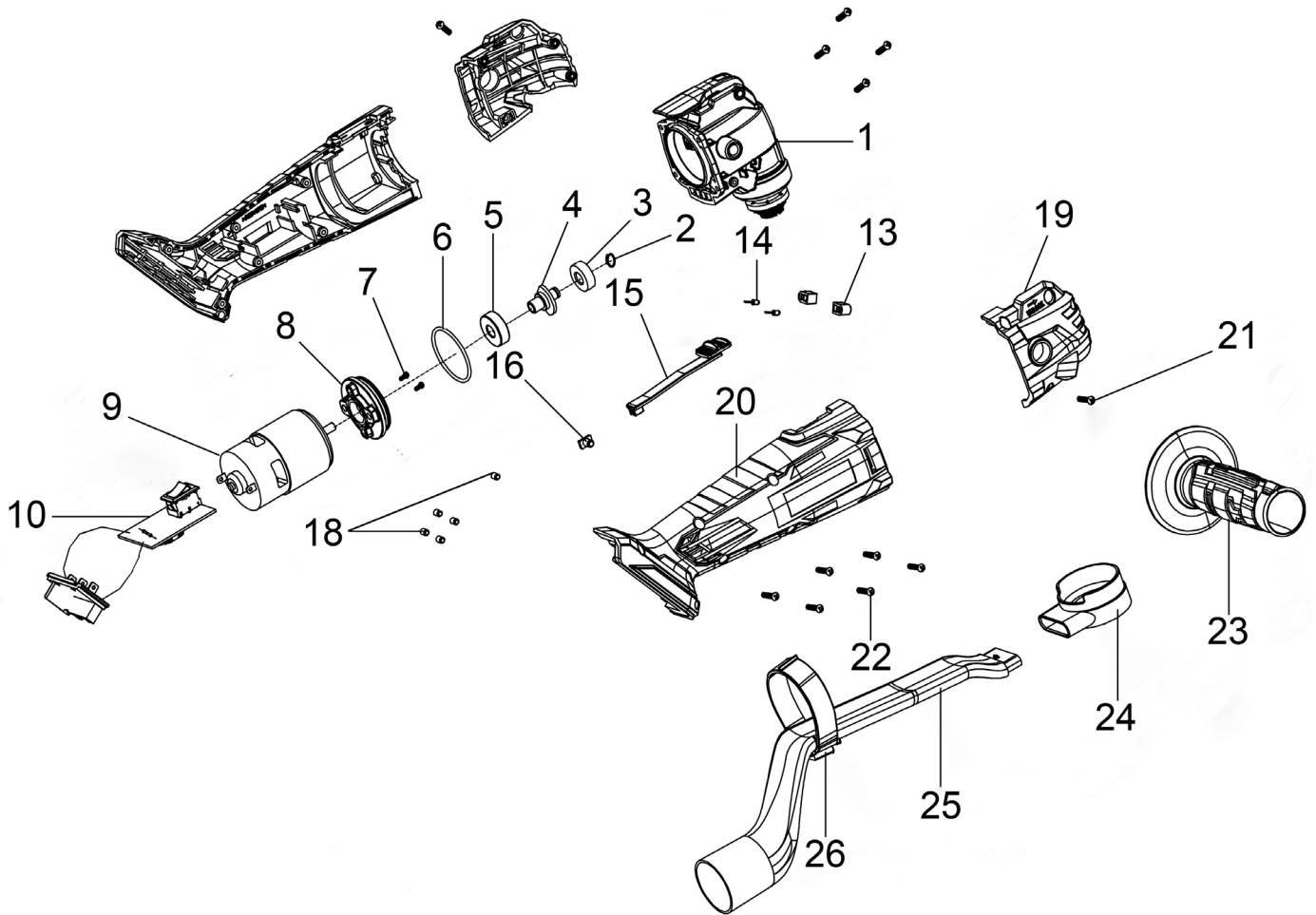


Parts Information:
**Oscillating Multi-Tool 20V SV20 Series -
 Body Only**
Model No: CP20VMT



Item	Part No.	Description
1	CP20VMT.01	Gearbox
2	CP20VMT.02	Circlip for Shaft
3	B/607ZZ	Bearing 607ZZ
4	CP20VMT.04	Eccentric Shaft Assembly
5	B/608	Bearing 608
6	CP20VMT.06	Seal Ring
7	CP20VMT.07	Screw
8	CP20VMT.08	Motor Cover Plate
9	CP20VMT.09	Motor
10	CP20VMT.10	PCB (c/w Resistance & Battery Contact Plate) 52 x 40mm
13	CP20VMT.13	LED Cover
14	CP20VMT.14	LED Light

Item	Part No.	Description
15	CP20VMT.15	Speed Selector Rod
16	CP20VMT.16	Rubber Pin
18	CP20VMT.18	Rubber Pin
19	CP20VMT.19	Side Covers
20	CP20VMT.20	Casing Complete
21	CP20VMT.21	Screw
22	CP20VMT.22	Tapping Screw
23	CP20VMT.23	Side Handle M8 x 1.25mm
24	CP20VMT.24	Dust Extraction Connector
25	CP20VMT.25	Dust Extraction Tube
26	CP20VMT.26	Holder for Dust Extraction Tube

NOTE: It is our policy to continually improve products and as such we reserve the right to alter data, specifications and component parts without prior notice. There may be alternative versions of this product, please contact us should you require this information.

IMPORTANT: No liability is accepted for incorrect use of product. Spare parts must be fitted by a competent person

WARRANTY: Guarantee is 12 months from purchase date, proof of which will be required for any claim.